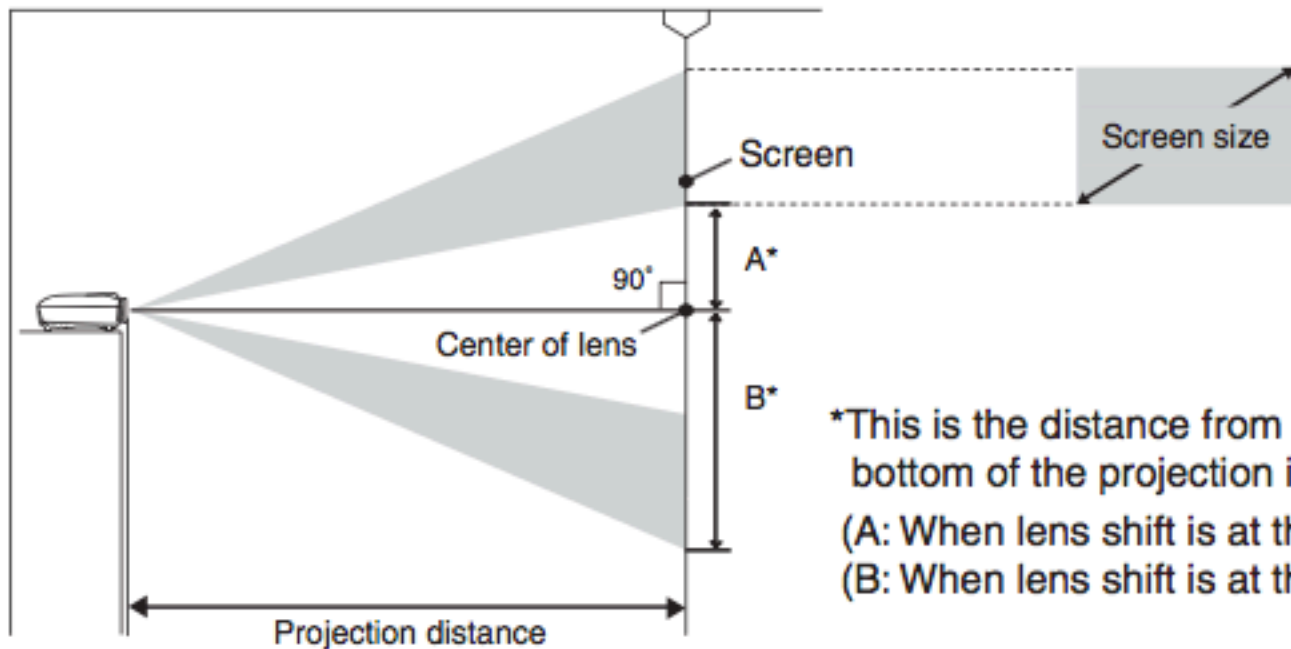


Adjusting the projection size

When the projector is further away from the screen, the projection image size are larger. While referring to the table below, position the projector so that the images are projected onto the screen at the optimum size.

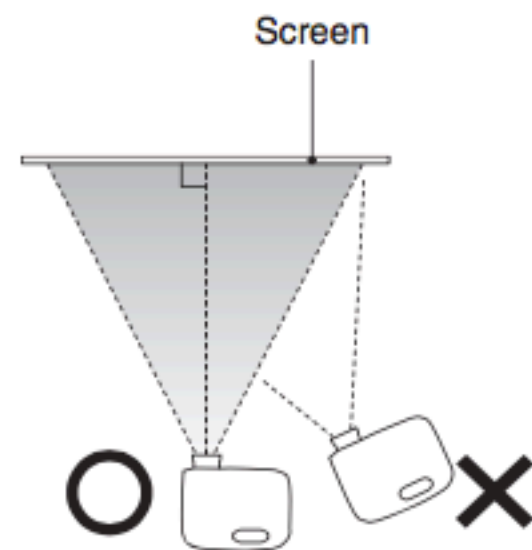
The values should be used as a guide for setting up the projector.



*This is the distance from the center of the lens to the bottom of the projection images.
 (A: When lens shift is at the highest setting)
 (B: When lens shift is at the lowest setting)

Units: cm

16:9 screen size		Projection distance		A	B
		Shortest (Wide)	Longest (Tele)		
30"	66 × 37	87	188	17	55
40"	89 × 50	117	252	23	73
60"	130 × 75	177	380	35	109
80"	180 × 100	238	508	46	146
100"	220 × 120	298	636	58	182
120"	270 × 150	359	764	69	219
150"	330 × 190	450	956	86	273
200"	440 × 250	601	1276	115	364



Set up so that the projector is parallel to the screen. If the projector is set up at an angle to the screen, distortion of the images will occur.

Units: cm

4:3 screen size		Projection distance		A	B
		Shortest (Wide)	Longest (Tele)		
30"	61 × 46	107	231	21	67
40"	81 × 61	144	309	28	89
60"	120 × 90	218	466	42	134
80"	160 × 120	292	623	56	178
100"	200 × 150	366	779	71	223
120"	240 × 180	440	936	85	268
150"	300 × 230	551	1171	106	334
200"	410 × 300	736	1562	141	446

Lens shift adjustment

The lens shift dials can be used to position the image and the feature is especially useful under the following conditions. p.16

- When the projector is suspended from the ceiling
- When the height of the projector does not match with that of the screen
- When the projector is set up to the side so that the screen can be viewed sitting right in front of it

When positioning an image using the lens shift dial, hardly any deterioration of the image occurs because the lens shift correction is adjusted optically. However, for optimal image quality the lens shift function should not be used.